

LABORATORY WINCH

TYPES BAC-B-400MM / BAC-B-800MM / BAC-B-1200MM

GENERAL DESCRIPTION

Lab winch / beck to dye, bleach and wash bigger samples, with temperatures up to 100°. Winch made of stainless steel with glass window on cover to check running process.

Adjustable reel transport speed.

Electric heating or by steam. Cooling as well as washing with cold water overflow controlled by solenoid valve.

Winch available with 400mm, 800mm and 1200mm wide reel.

Color Touch Screen controller for automatic process control, such as temperatures, holding times, alarms, driver, washing (overflow).

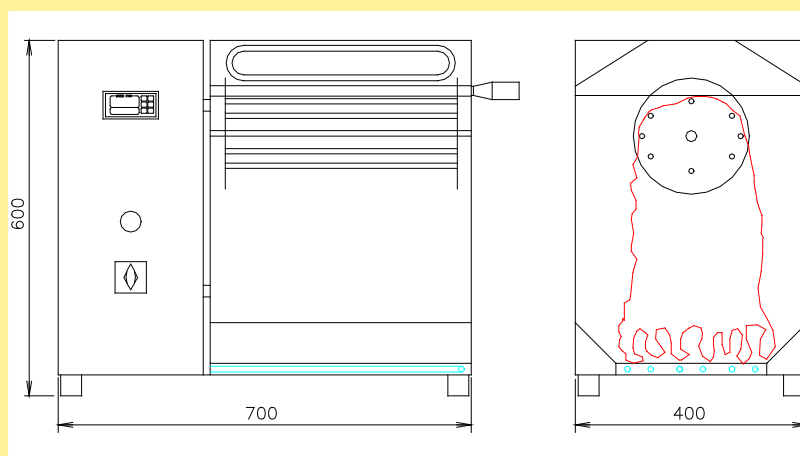


TECHNICAL DATA - TYPE	BAC-B-400	BAC-B-800	BAC-B-1200
Reel width	400 mm	800 mm	1200 mm
Reel working width	350mm	750mm	1150mm
Liquor volume	8 - 30 liters	15 - 58 liters	22 - 96 liters
Sample weight (approx.)	up to 1 kg	up to 2 kg	up to 3 kg
Heating	electric or steam	electric or steam	steam
Power / Voltage	5 kW / 1 x 220V	9,5 kW / 1 x 220V	2 kW / 1 x 220V
Dimensions (L x W x H)	60 x 70 x 40cm	60 x 110 x 40cm	60 x 151 x 49cm
Weight (approx.)	80 kg	100 kg	120 kg

winch reel



BAC-400mm lateral and frontal view



Werner Mathis AG

Rütisbergstrasse 3
 CH-8156 Oberhasli/Zürich, Switzerland
 Telefon 41(0)44-852 5050
 Telefax 41(0)44-850 6707
 E-Mail info@mathisag.com
 Homepage www.mathisag.com

Aparelhos de Laboratório Mathis Ltda.

Estrada dos Estudantes, 261
 06707-050 Cotia - SP, Brasil
 Tel: 55 (0)11 3883-6777
 Fax: 55 (0)11 3883-6750
 E-mail: mathis@mathis.com.br
 Site: www.mathis.com.br