

CIRCULAR SAMPLE CUTTER

TYPE CUT-B

GENERAL DESCRIPTION

Automatic cutter for circular samples, with motor and pneumatic load system to cut sample.

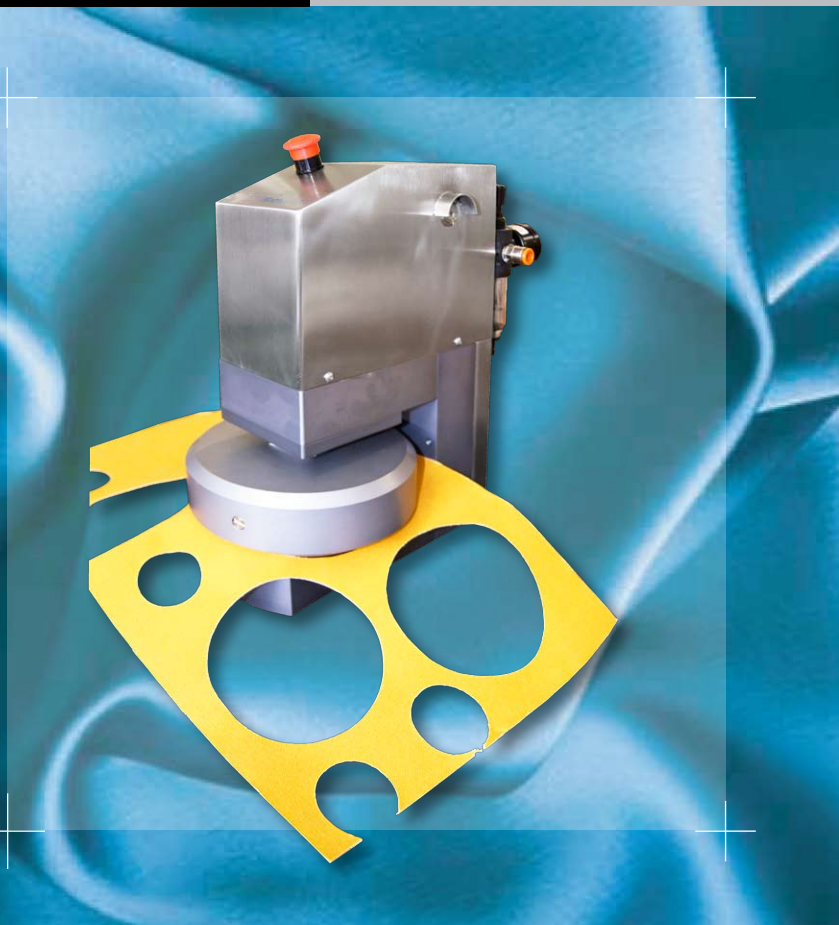
Compact cutter easy to use.

Several cutting heads for sample diameter from 75 mm up to 140 mm.

Standard diameter sizes:

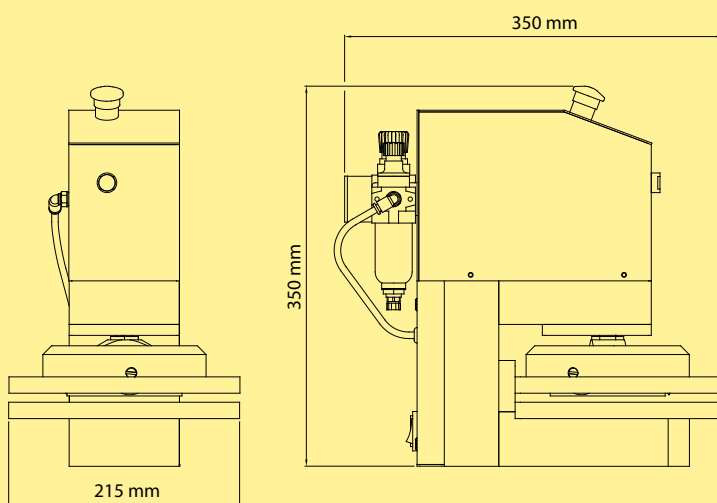
75mm (for Morapex S fast extractor), 100 mm, 112,8 mm (for fabric weight calculation on 100 cm² area) and 140mm (for Martindale abrasion tester).

Cutting heads are interchangeable.



TECHNICAL DATA - TYPE CUT-B

Sample size (diameter)	75 mm - 140 mm (1 cutting head for each size) standard sizes: 75mm (44,18 cm ² area), 100mm (78,54 cm ² area), 112,8 mm (100 cm ² area), 140mm (153,94 cm ² area)
Maximum sample thickness	1 mm
Power / Voltage	0,2 kW / 1 x 220 V
Dimensions	L 22 cm x P 35 cm x A 36 cm
Weight	13 kg
Needs compressed air: minimum 6 bar.	



Several cutting head sizes, keys for head exchange.

Define cutting head size on order.

Werner Mathis AG

Rütisbergstrasse 3
CH-8156 Oberhasli/Zürich, Switzerland
Telefon 41(0)44-852 5050
Telefax 41(0)44-850 6707
E-Mail info@mathisag.com
Homepage www.mathisag.com

Aparelhos de Laboratório Mathis Ltda.

Estrada dos Estudantes, 261
06707-050 Cotia - SP, Brasil
Tel: 55 (0)11 3883-6777
Fax: 55 (0)11 3883-6750
E-mail: mathis@mathis.com.br
Site: www.mathis.com.br